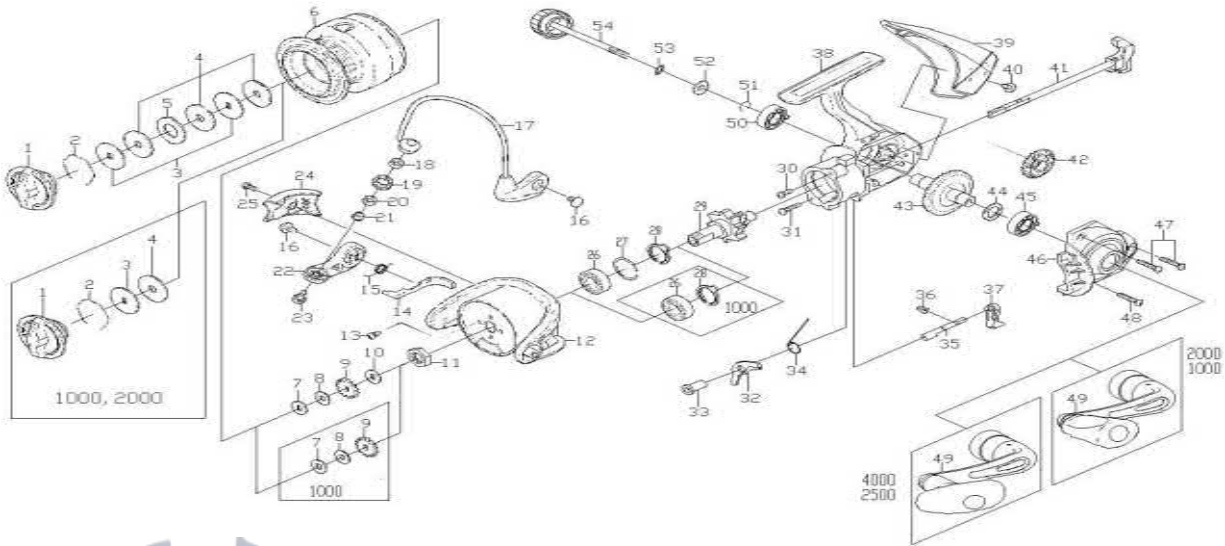




Please order by parts number, not key number
 Veuillez indiquer le numéro de la pièce (Non "Key" No.)

SPINNING REEL STRIKEFORCE 1000-B/2000-B/2500-B/4000-B



STRIKEFORCE 1000-B			STRIKEFORCE 2000-B		STRIKEFORCE 2500-B		STRIKEFORCE 4000-B	
Key No.	Part No.	Part Name	Key No.	Key No.	Key No.	Key No.	Key No.	Key No.
1	Q10-2201	DRAG KNOB	Q06-5701	Q06-5701	Q06-5701	Q06-5701	Q06-5701	Q06-5701
2	F37-3301	DRAG WASHER RETAINER	F37-3301	F37-3301	F37-3301	F37-3301	F37-3301	F37-3301
3	E46-7201	KEY WASHER	E46-7201	E46-7201	E46-7201	E46-7201	E46-7201	E46-7201
4	E13-6001	DRAG WASHER	E13-6001	E13-6001	E13-6001	E13-6001	E13-6001	E13-6001
5	-	EARED WASHER	-	373-3606	373-3606	373-3606	373-3606	373-3606
2-6	Q10-2001	SPOOL ASSEMBLY	Q09-9601	Q09-9201	Q09-9201	Q10-4501	Q10-4501	Q10-4501
7	E46-7101	WASHER (A)	E46-7101	E46-7101	E46-7101	E46-7101	E46-7101	E46-7101
8	E39-8000	WASHER (B)	E39-8000	E39-8000	E39-8000	E39-8000	E39-8000	E39-8000
9	G83-9301	CLICK GEAR	G83-9301	G83-9301	G83-9301	G83-9301	G83-9301	G83-9301
10	-	WASHER (C)	H11-8501	H11-8501	H11-8501	H11-8501	H11-8501	H11-8501
11	F33-6102	ROTOR NUT	G12-3301	G12-3301	G12-3301	G12-3301	G12-3301	G12-3301
12	H01-9828	ROTOR	G86-1150	G84-1957	G84-1957	G84-4148	G84-4148	G84-4148
13	G62-7701	SCREW (A)	G62-7701	G62-7701	G62-7701	G62-7701	G62-7701	G62-7701
14	H02-0001	BAIL TRIP LEVER	G86-1201	G84-2001	G84-2001	G84-4201	G84-4201	G84-4201
15	H01-9901	BAIL SPRING	F77-7901	F80-0701	F80-0701	F80-0701	F80-0701	F80-0701
16	G20-5001	SCREW (B)	G20-5001	G20-5001	G20-5001	G20-5001	G20-5001	G20-5001
17	H02-0301	BAIL ASSEMBLY	G89-0201	G89-0201	G89-2201	G90-6701	G90-6701	G90-6701
18	G87-4201	COLLAR (A)	G87-4201	G87-4201	G87-4201	G87-4201	G87-4201	G87-4201
19	F62-5005	LINE ROLLER	F62-5005	F62-5005	F62-5005	F62-5005	F62-5005	F62-5005
20	G87-4301	COLLAR (B)	G87-4301	G87-4301	G87-4301	G87-4301	G87-4301	G87-4301
21	G15-2502	COLLAR (C)	G15-2502	G15-2502	G15-2502	G15-2502	G15-2502	G15-2502
22	H02-0101	BAIL ARM	G83-8801	G83-8801	G83-8801	G83-8801	G83-8801	G83-8801
23	G19-5602	SCREW (C)	G19-5602	G19-5602	G19-5602	G19-5602	G19-5602	G19-5602
24	H02-0203	COVER (A)	G86-1304	G84-2104	G84-2104	G84-4304	G84-4304	G84-4304
25	G27-0801	SCREW (D)	G27-0801	G27-0801	G27-0801	G27-0801	G27-0801	G27-0801
26	G28-5801	BALL BEARING	G83-6901	G83-6901	G83-6901	G83-6901	G83-6901	G83-6901
27	-	WASHER (D)	H29-5201	H29-5201	H29-5201	H29-5201	H29-5201	H29-5201
28	H01-9001	ANTI-REVERSE PAWL SPRING(A)	G97-2601	G97-2601	G97-2601	G97-2601	G97-2601	G97-2601
29	H01-8901	PINION GEAR	G98-0803	G98-0801	G98-0801	G98-6401	G98-6401	G98-6401
30	G41-0601	SCREW (E)	G41-0601	G41-0601	G41-0601	G41-0601	G41-0601	G41-0601
31	H12-0301	SCREW (F)	G98-0501	G98-0501	G98-0501	G98-0501	G98-0501	G98-0501
32	H01-9301	ANTI-REVERSE PAWL	G98-1201	G98-1201	G98-1201	G98-1201	G98-1201	G98-1201
33	H01-9101	ANTI-REVERSE PAWL COLLAR	G98-1001	G98-1001	G98-1001	G98-1001	G98-1001	G98-1001
34	H01-9201	ANTI-REVERSE PAWL SPRING(B)	G98-1101	G98-1101	G98-1101	G98-1101	G98-1101	G98-1101
35	H01-8301	ANTI-REVERSE CAM	G98-0701	G98-0701	G98-0701	G98-0701	G98-0701	G98-0701
36	G83-6401	ANTI-REVERSE CAM SPRING	G83-6401	G83-6401	G83-6401	G83-6401	G83-6401	G83-6401
37	H01-8401	ANTI-REVERSE LEVER	G92-7001	G92-7001	G92-7001	G92-7001	G92-7001	G92-7001
38	H01-8213	BODY	G98-4126	G97-5829	G97-5829	G98-6226	G98-6226	G98-6226
39	H01-9703	REAR COVER	G98-5003	G97-7803	G97-7803	G98-6603	G98-6603	G98-6603
40	G27-0801	SCREW (G)	G27-0801	G27-0801	G27-0801	G27-0801	G27-0801	G27-0801
41	H01-8601	MAIN SHAFT	G86-0603	G84-1403	G84-1403	G84-3501	G84-3501	G84-3501
42	H01-8501	OSCILLATING GEAR	G98-5101	G84-1301	G84-1301	G98-6301	G98-6301	G98-6301
43	H01-9401	DRIVER GEAR	G90-8602	G90-8602	G90-8602	G92-4302	G92-4302	G92-4302
44	375-8500	WASHER (E)	373-7800	373-7800	373-7800	373-7800	373-7800	373-7800
45	H02-2001	BEARING (A)	G88-9301	G88-9301	G88-9301	G88-9301	G88-9301	G88-9301
46	H01-9613	SIDE COVER	G98-4921	G97-5923	G97-5923	G98-6521	G98-6521	G98-6521
47	F93-9701	SCREW (H)	G11-5001	G11-5001	G11-5001	G11-5001	G11-5001	G11-5001
48	G11-5001	SCREW (I)	G11-5001	G11-5001	G11-5001	G11-5001	G11-5001	G11-5001
49	Q10-1901	HANDLE ASSEMBLY	Q10-9201	Q10-9401	Q10-9401	Q10-4401	Q10-4401	Q10-4401
50	H02-2001	BEARING (B)	G88-9301	G88-9301	G88-9301	G88-9301	G88-9301	G88-9301
51	H01-9501	BEARING RETAINER	G52-5101	G52-5101	G52-5101	G52-5101	G52-5101	G52-5101
52	G86-3901	WASHER (F)	G86-3901	G86-3901	G86-3901	G86-3901	G86-3901	G86-3901
53	160-8101	WASHER (G)	160-8101	160-8101	160-8101	160-8101	160-8101	160-8101
54	Q02-0503	HANDLE SCREW	Q02-0104	Q02-0104	Q02-0104	Q02-0203	Q02-0203	Q02-0203